

GENISYS™



GENISYS is a unique, custom engineered systems approach to roofing that offers "performance matched" assemblies in hot-applied, cold-applied and heat-welded designs. GENISYS configurations combine compatible roof components into a roofing system that is tested as an assembled unit. This process optimizes endurance, performance, value and sustainability parameters for each roof situation.

Basic Use:

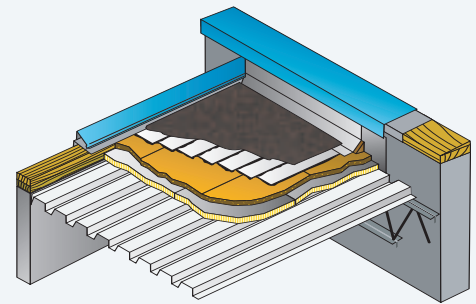
The GENISYS system is specifically engineered and tested to meet a wide range of conditions and roofing requirements in hot-applied, cold-applied and heat welded roofing applications.

Applicable Standards:

GENISYS systems meet or exceed a range of industry standards. Consult your W.P. Hickman Systems, Inc., representative regarding current applicable standards for each GENISYS system.

Product Composition:

Each GENISYS system is designed based on the performance attributes of the total roofing construction from the membrane through the edge metal details. All GENISYS assemblies feature W.P. Hickman's premium products, "performance matched" to the unique roof situation.



Features:

- Superior wind uplift, exposure/element and fire resistance
- High tensile strength
- Excellent elongation properties
- Proven performance for Water Leakage Test (FM Test 4470)
- Outstanding Strain Energy/Toughness

Benefits:

- Several GENISYS roof systems carry FM Class 1-150 wind uplift ratings over steel decks, providing one of the highest wind uplift ratings in the industry
- Addresses the range of exposure conditions that cause leaks and premature failure of roofing systems

Benefits:

- Fire resistance ratings meet Class A approval for above deck combustibility (ASTM E-108 and UL 790 – Spread of Flame Test), as well as below the roof deck fuel contribution rates determined by FM Calorimeter Tests
- Can provide the critical high tensile strengths and elongation required to help resist splitting or tearing of the roof assembly
- Maximum flexibility, fatigue resistance and ability to accept movement for exceptional performance under a wide variety of conditions
- GENISYS systems meet or exceed the industry's water migration standard
- High Strain Energy/Toughness provides improved resistance to membrane splitting caused by insulation expansion and contraction, deck movement, equipment vibration and thermal shock